



Eh5700 Series Environmental Enclosure



C1431SM-B (7/09)

Contents

Important Safety Instructions	4
Description	5
Models	5
Optional Accessories	6
Maintenance	7
Exploded Assembly Drawings	8
Wiring Diagrams and Circuit Boards	19

List of Illustrations

1	EH5700 Exploded Assembly Diagram	10
2	EH5700L Exploded Assembly Diagram	12
3	Exploded Assembly Diagram for Blower and Circuit Board	14
4	Exploded Assembly Diagram for Heaters and Circuit Board	16
5	Exploded Assembly Diagram for Defroster	18
6	Exploded Assembly Diagram for Window Wiper	19
7	EH5700/EH5700L Series Input Wiring Diagram	21
8	Wiring Diagram for Optional Circuit Board (O/I-PCB)	22
9	Component Locations for Optional Circuit Board	23
10	Layout of Traces on Optional Circuit Board	23
11	Wiper Circuit Board Component Locations	23

List of Tables

A	EH5700 Series Exploded Assembly Parts List	11
B	EH5700L Series Exploded Assembly Parts List	13
C	Exploded Assembly Parts List for Blower and Circuit Board	15
D	Exploded Assembly Parts List for Heaters and Circuit Board	17
E	Exploded Assembly Parts List for Defroster	18
F	Exploded Assembly Parts List for Window Wiper	20

Important Safety Instructions

Installation and servicing should be done only by qualified service personnel and conform to all local codes.

Unless the unit is specifically marked as a NEMA Type 3, 3R, 3S, 4, 4X, 6, or 6P enclosure, it is designed for indoor use only and it must not be installed where exposed to rain and moisture.

Only use replacement parts recommended by Pelco.

After replacement/repair of this unit's electrical components, conduct a resistance measurement between line and exposed parts to verify the exposed parts have not been connected to line circuitry.

The installation method and materials should be capable of supporting four times the weight of the enclosure, pan/tilt, camera and lens combination.

The product and/or manual may bear the following marks:



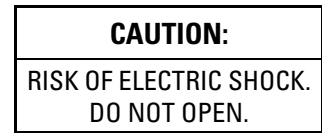
This symbol indicates that dangerous voltage constituting a risk of electric shock is present within this unit.



This symbol indicates that there are important operating and maintenance instructions in the literature accompanying this unit.



To reduce the risk of electrical shock, do not remove cover. No user serviceable parts inside. Refer servicing to qualified service personnel.



Description

Environmental enclosures in the EH5700 Series are used with Pelco's pan/tilt units of fixed mounts. Environmental enclosures in the EH5700L Legacy Series are used with Pelco's PT780 Series pan/tilt unit.

MODELS

EH5700 SERIES

EH5723	Environmental enclosure with rear-opening lid. Lid has gas spring to hold it open. 23-inch (58.42 cm) length.
EH5723-1	EH5723 with 120 VAC thermostatically controlled heater and blower.
EH5723-2	EH5723 with 24 VAC thermostatically controlled heater and blower.
EH5723-3	EH5723 with 230 VAC thermostatically controlled heater and blower.
EH5729	Environmental enclosure with rear-opening lid. Lid has gas spring to hold it open. 29-inch (73.66 cm) length.
EH5729-1	EH5729 with 120 VAC thermostatically controlled heater and blower.
EH5729-2	EH5729 with 24 VAC thermostatically controlled heater and blower.
EH5729-3	EH5729 with 230 VAC thermostatically controlled heater and blower.

EH5700L LEGACY SERIES

EH5723L	Environmental enclosure with rear-opening lid. Lid has gas spring to hold it open. 23-inch (58.42 cm) length. Obsolete.
EH5723L-1	EH5723L with 120 VAC thermostatically controlled heater and blower.
EH5723L-2	EH5723L with 24 VAC thermostatically controlled heater and blower.
EH5723L-3	EH5723L with 230 VAC thermostatically controlled heater and blower.
EH5729L	Environmental enclosure with rear-opening lid. Lid has gas spring to hold it open. 29-inch (73.66 cm) length. Obsolete.
EH5729L-1	EH5729L with 120 VAC thermostatically controlled heater and blower. Obsolete.
EH5729L-2	EH5729L with 24 VAC thermostatically controlled heater and blower. Obsolete.
EH5729L-3	EH5729L with 230 VAC thermostatically controlled heater and blower. Obsolete.

OPTIONAL ACCESSORIES

BK57-1	Blower kit, 120 VAC, 15 watts
BK57-2	Blower kit, 24 VAC, 10 watts
BK57-3	Blower kit, 230 VAC, 15 watts
HK57-1	Heater kit, 120 VAC, 90 watts
HK57-2	Heater kit, 24 VAC, 50 watts
HK57-3	Heater kit, 230 VAC, 70 watts
O/I-LPP	Preset position lens wire harness (must be used with O/I-PCB)
O/I OUTLET	120 VAC electrical outlet (must be used with O/I-PCB)
O/I-PCB	Circuit board with thermostats
SS5723	Sun shroud for EH5723 Series enclosures
SS5729	Sun shroud for EH5729 Series enclosures
TI57	Thermal insulation kit for EH5723 and EH5729 Series enclosures
WD57-1	Window defroster and defogger kit, 120 VAC, 30 watts
WD57-3	Window defroster and defogger kit, 230 VAC, 30 watts
WD57-2	Window defroster and defogger kit, 24 VAC, 30 watts
WW5723-1	Window wiper kit, 120 VAC, 15 watts, EH5723 Series enclosures
WW5723-2	Window wiper kit, 24 VAC, 15 watts, EH5723 Series enclosures
WW5723-3	Window wiper kit, 230 VAC, 15 watts, EH5723 Series enclosures
WW5729-1	Window wiper kit, 120 VAC, 15 watts, EH5729 Series enclosures
WW5729-2	Window wiper kit, 24 VAC, 15 watts, EH5729 Series enclosures
WW5729-3	Window wiper kit, 230 VAC, 15 watts, EH5729 Series enclosures

Maintenance

Perform the following maintenance at regularly scheduled intervals to prolong the operational life and appearance of the equipment.

1. Clean the window with a mild non-abrasive detergent in water and a soft cloth to maintain picture clarity.
2. If your enclosure has a blower, clean the foam filters as follows:
 - a. On the bottom front of the enclosure, remove the two screws in the vent grill.
 - b. Remove the vent grill and take out the filters.
 - c. Clean the filters with warm water and mild detergent, dry thoroughly, and replace them in the grill.
 - d. Reinstall the vent grill.

To order replacement filters, use the part number EH550010045.

Exploded Assembly Drawings

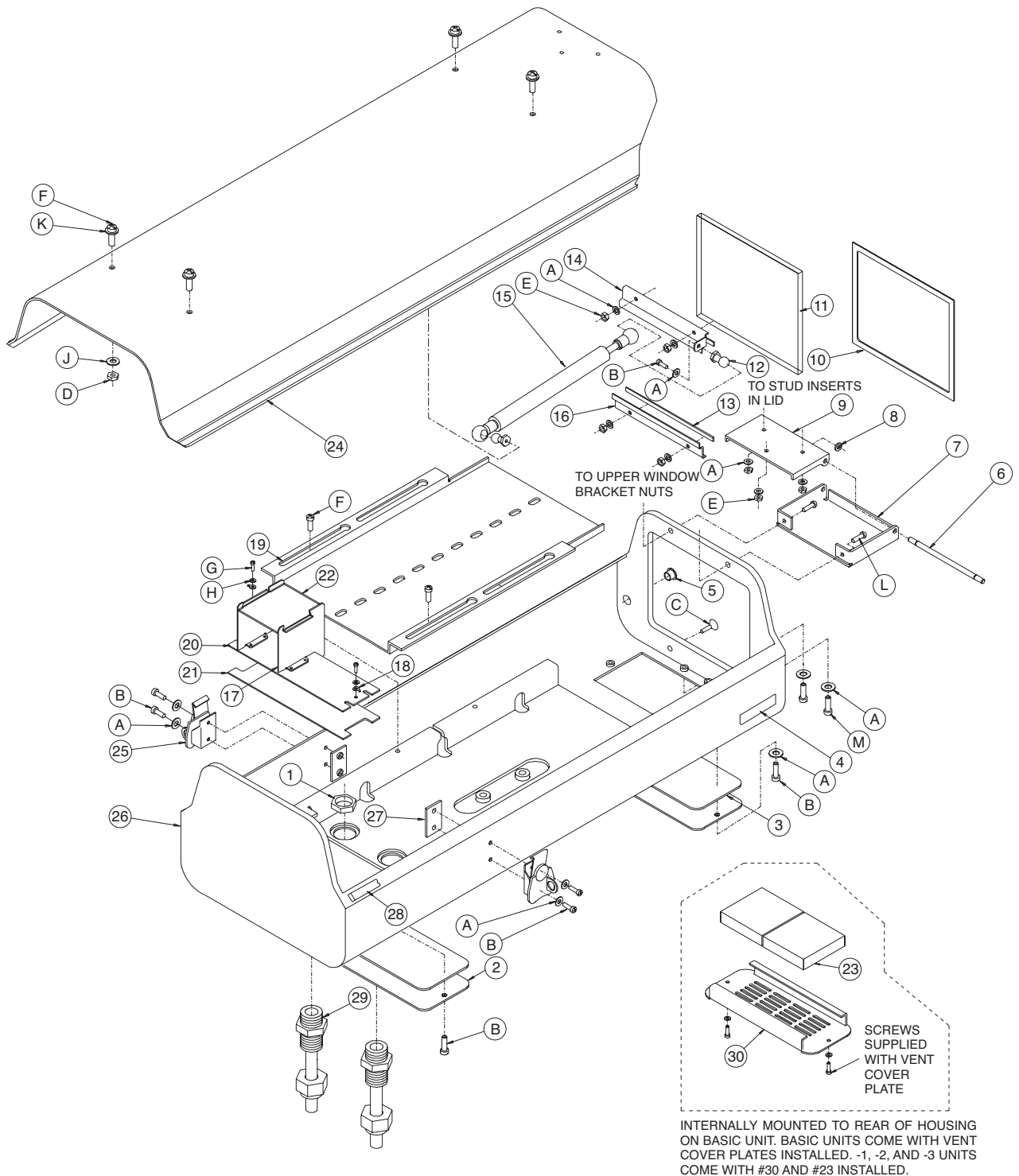


Figure 1. EH5700 Exploded Assembly Diagram

Table A. EH5700 Series Exploded Assembly Parts List

Item	Qty	Description	Part Number
1	2	Gland Nut	HF00-1352-3500
2	2	Vent Cover Plate	57004000COMP
3	2	Vent Cover Gasket	570010001
4	2	Label	LBLG10010
5	1	Hole Plug, 3/8-inch Hard Nylon, Black	ZH3091
6	1	Pivot Pin	570010000
7	1	Body Hinge	57004004COMP
8	2	Clip	125010001
9	1	Lid Hinge	57004106COMP
10	1	Window Gasket	570010002
11	1	Window Glass, 4.50" x 5.50" x .250"	EH550010002
12	2	Ball End for Gas Spring	EH47004046COMP
13	1 ft	Window Gasket	EH110042
14	1	Upper Window Bracket	57004008COMP
15	1	Gas Spring	EH470010005
16	1	Lower Window Bracket	57004009COMP
17	2	Power Supply Barrier	EH47004040COMP
18	2	Grounding Clip	570010004
19	1	Camera Sled	EH55004100COMP
20	1	Circuit Board	PCB9000276ASSY
21	1	Circuit Board Insulator	EH450010256
22	1	Power Supply Barrier Cover	MF00-4700-019A
23	2	Foam Filter	EH550010045
24	1	Enclosure Lid (EH5729 Series)	57294001COMP
	1	Enclosure Lid (EH5723)	57234001COMP
25	2	Latch (EH5723 Series)	LK01-0104-0400
	4	Latch (EH5729 Series)	LK01-0104-0400
26	1	Enclosure Body (EH5729 Series)	57291001WA
	1	Enclosure Body (EH5723 Series)	57231001WA
27	2	Latch Bracket (EH5723 Series)	57004007COMP
	4	Latch Bracket (EH5729)	57004007COMP
28	6 ft	Gasket (EH5723 Series)	GS01-0002-0430
	8 ft	Gasket (EH5729 Series)	GS01-0002-0430
29	2	Gland	HF00-1300-3500
30	1	Vent Grill	57004005COMP
A	16	Internal Star Washer, #6 (EH5723 Series)	ZH6LWSIS
	20	Internal Star Washer, #6 (EH5729 Series)	ZH6LWSIS
B	9	Screw, 6-32 x 3/8", Pan Head, Phillips (EH5723 Series)	ZH6-32X.375SPPG
	13	Screw, 6-32 x 3/8", Pan Head, Phillips (EH5729 Series)	ZH6-32X.375SPPG
C	2	Screw, 6-32 x 5/8", Flat Head, Phillips	ZH6-32X.625SFS
D	4	Hex Nut, 10-32	ZH10-32NUTSH
E	7	Hex Nut, 6-32	ZH6-32NUTSH
F	6	Screw, 10-32 x 3/8", Pan Head, Phillips	ZH10-32X.375SPP
G	2	Screw, 4-40 x 1/4", Pan Head, Phillips	ZH4-40X.250SPP
H	2	Internal Star Washer, #4	ZH4LWSIS
J	4	Internal Star Washer, #10	ZH10LWSIS
K	4	Nylon Washer	ZH200X437X62N
L	2	Screw, 6-32 x 3/4", Pan Head, Phillips	ZH6-32X.750SPP
M	2	Screw, 6-32 x 1/4", Pan Head, Phillips	ZH6-32X.250SPP

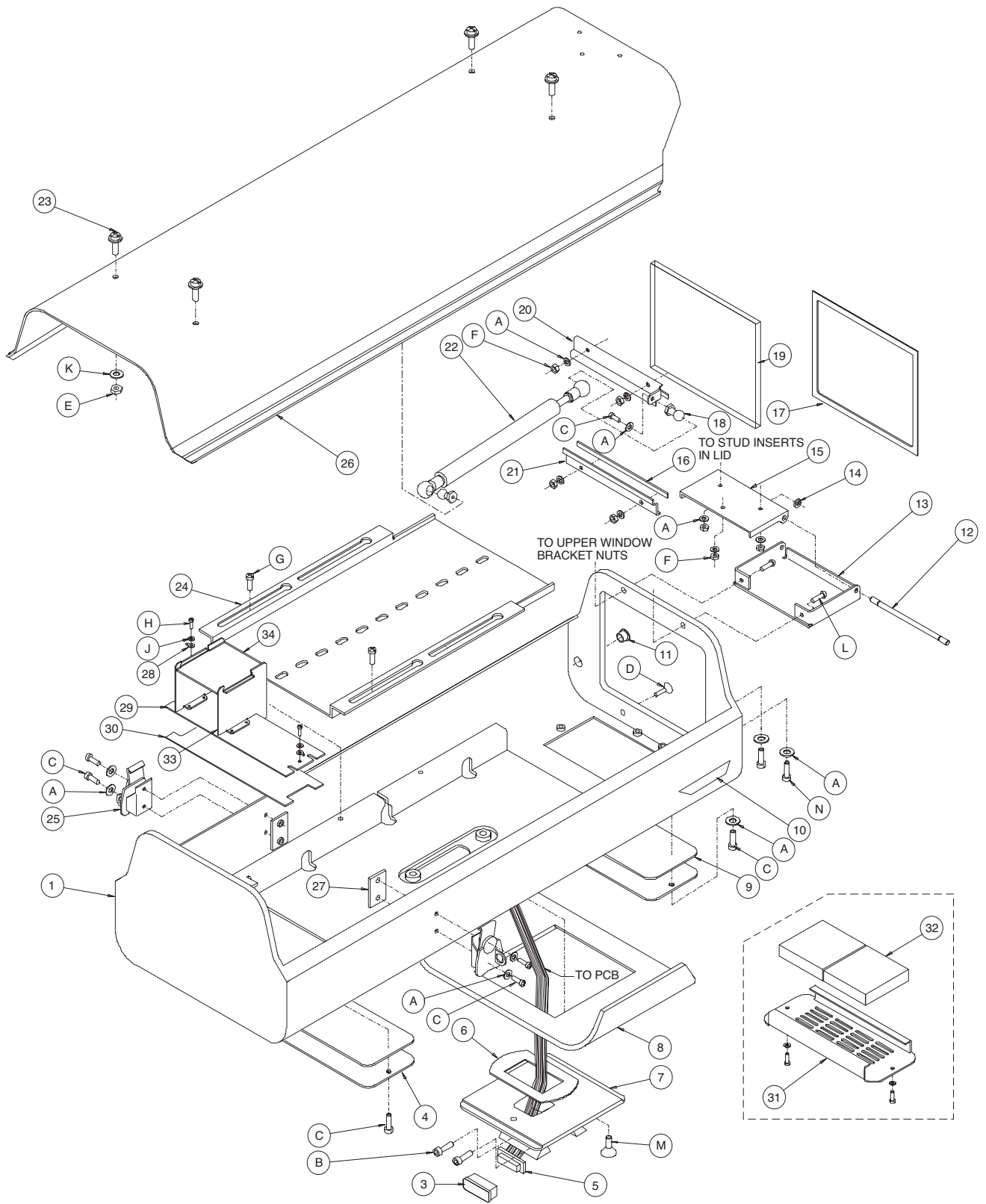


Figure 2. EH5700L Exploded Assembly Diagram

Table B. EH5700L Series Exploded Assembly Parts List

Item	Qty	Description	Part Number
1	1	Body for 29-inch (73.66 cm) Enclosure	57291000WA
	1	Body for 23-inch (58.42 cm) Enclosure	57231000WA
2	6 ft	Gasket (not shown) (EH5723L Series)	GS01-0002-0430
	8 ft	Gasket (not shown) (EH5729L Series)	GS01-0002-0430
3	1	Cover, 26-pin "D" Connector	90010026
4	2	Vent Cover Plate	57004000COMP
5	1	RediLINK Wire Assembly	WIRA220050
6	1	Gasket, Tilt Table Housing	GS05-0102-001A
7	1	Tilt Table	9004016COMP
8	1	Enclosure Cradle	9554400COMP
9	2	Vent Cover Gasket	570010001
10	2	Label	LBLG10010
11	1	Hole Plug, 3/8-inch Hard Nylon, Black	ZH3091
12	1	Pivot Pin	570010000
13	1	Body Hinge	57004004COMP
14	2	Stainless Steel Clip	125010001
15	1	Lid Hinge	57004006COMP
16	1 ft	Window Gasket	EH110042
17	1	Window Gasket	570010002
18	2	Ball End for Gas Spring	EH47004046COMP
19	1	Window Glass	EH550010002
20	1	Upper Window Bracket	57004008COMP
21	1	Lower Window Bracket	57004009COMP
22	1	Gas Spring	EH470010005
23	4	Screw, 10-32 x 3/8", Pan Head, Phillips	ZH10-32X.375GRY
	4	Nylon Washer (not shown)	ZH200X437X62N
24	1	Camera Sled	EH55004100COMP
25	2	Latch (EH5723L Series)	LK01-0104-0400
	4	Latch (EH5723L Series)	LK01-0104-0400
26	1	Enclosure Lid (EH5729L Series)	57294001COMP
	1	Enclosure Lid (EH5723L Series)	57234001COMP
27	2	Latch Bracket (EH5723L Series)	57004007COMP
	4	Latch Bracket (EH5729L Series)	57004007COMP
28	2	Grounding Clip	570010004
29	1	Circuit Board	PCB9000276ASSY
30	1	Circuit Board Insulator	EH450010256
31	1	Vent Grill	57004005COMP
32	2	Foam Filter, (-1, -2, -3 only)	EH550010045
33	2	Power Supply Barrier	EH47004040COMP
34	1	Power Supply Barrier Cover	MF00-4700-019A
A	16	Internal Star Washer, #6 (EH5723L Series)	ZH6LWSIS
	20	Internal Star Washer, #6 (EH5729L Series)	ZH6LWSIS
B	2	Cap Screw, 10-32 x 1", Allen Socket Head	ZH10-32X1.00CS
C	9	Screw, 6-32 x 3/8", Pan Head, Phillips (EH5723L Series)	ZH6-32X.375SPP
	13	Screw, 6-32 x 3/8", Pan Head, Phillips (EH5729L Series)	ZH6-32X.375SPP
D	2	Screw, 6-32 x 5/8", Flat Head, Phillips	ZH6-32X.625SFS
E	4	Hex Nut, 10-32	ZH10-32NUTSH
F	7	Hex Nut, 6-32	ZH6-32NUTSH
G	2	Screw, 10-32 x 3/8", Pan Head, Phillips	ZH10-32X.375SPP
H	2	Screw, 4-40 x 3/8", Pan Head, Phillips	ZH4-40X.375SPP
J	2	Internal Star Washer, #4	ZH4LWS1S
K	4	Internal Star Washer, #10	ZH10LWSIS
L	2	Screw, 6-32 x 3/4", Pan Head, Phillips	ZH6-32X.750SPP
M	2	Screw, 1/4-20 x 1/2", Pan Head, Phillips	ZH1/420X.500SFS
N	2	Screw, 6-32 x 1/4", Pan Head, Phillips	ZH6-32X.250SPP

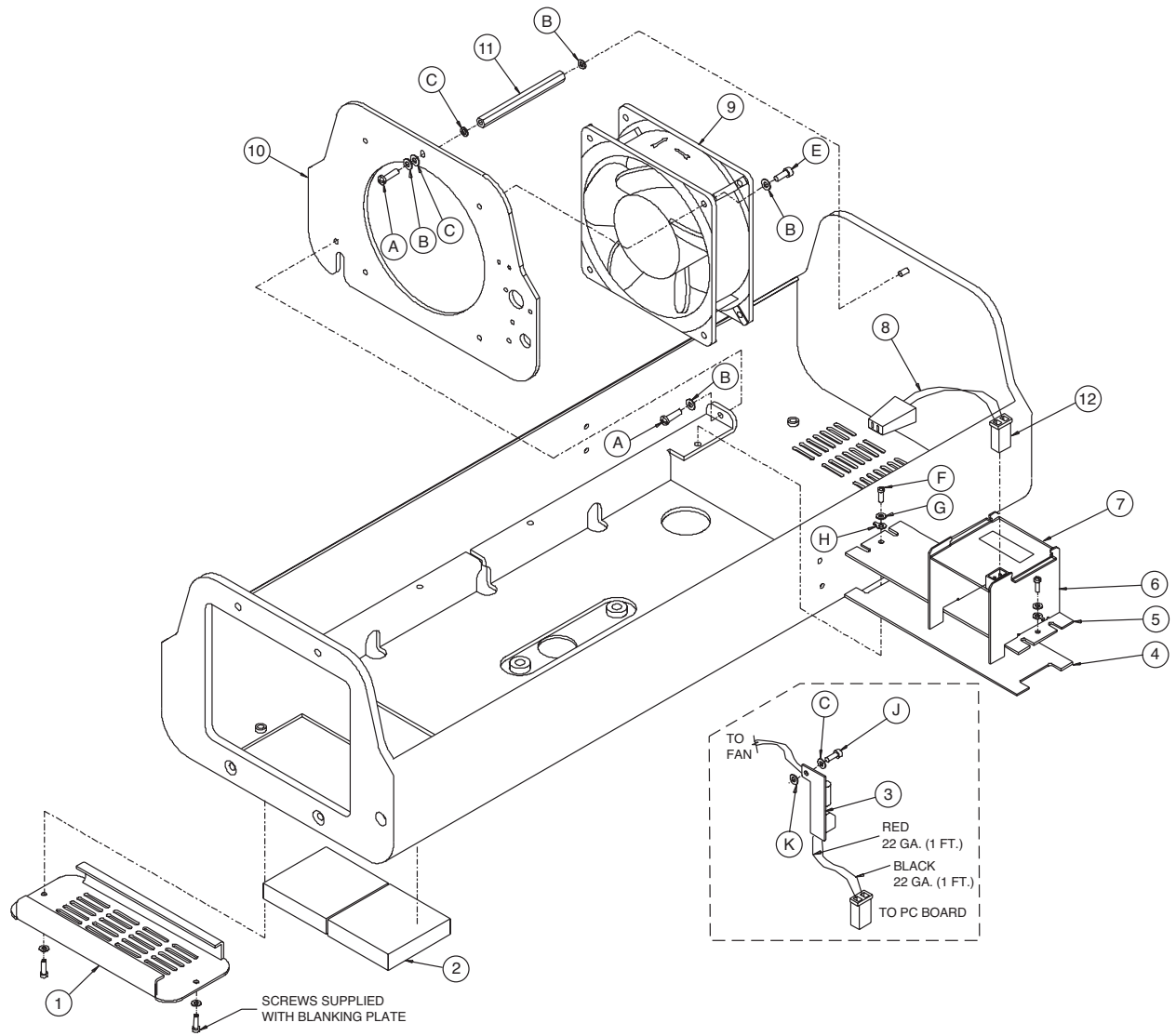


Figure 3. Exploded Assembly Diagram for Blower and Circuit Board

Table C. Exploded Assembly Parts List for Blower and Circuit Board

Item	Qty	Description	Part Number
1	1	Vent Grill	57004005COMP
2	2	Foam Filter	EH550010045
3	1	24VDC Fan Rectifier (for -2 ver. encl.)	PCB9000277ASSY
4	1	Circuit Board Insulator	EH450010256
5	1	Circuit Board	PCB9000276ASSY
6	2	Power Supply Barrier	EH47004040COMP
7	1	Power Supply Barrier Cover	MF00-4700-019A
8	1	Fan Wire Cord with Plug (-1, -3 models only)	WIR432000
9	1	Fan Tube, 230 VAC	ED210015
	1	Fan, 24 VDC	955105W3
	1	Fan Tube, 120 VAC	EH18013
10	1	Fan Plate (EH5723L/EH5729L Series)	57004010COMP
	1	Fan Plate (EH5723/EH5729 Series)	MF01-5701-010D
11	1	Standoff, 3.375" Length	570010007
12	1	Connector Plug	CN16-1820-0002
	2	Connector Sockets	CN16-5821-0101
A	3	Cap Screw, 6-32 x 3/8", Allen Socket Head	ZH6-32X.375CS
B	8	Internal Tooth Lock Washer, #6	ZH6LWSIS
C	2	Flat Washer, #6	ZH148X375X32
E	4	Cap Screw, 6-32 x 3/8", Allen Socket Head (for -1/-3 ver. encl.)	ZH6-32X.375CS
	3	Cap Screw, 6-32 x 3/8", Allen Socket Head (for -2 ver. encl.)	ZH6-32X.375CS
F	2	Screw, 4-40 x 3/8", Pan Head, Phillips	ZH4-40X.375SPP
G	2	Internal Tooth Lock Washer, #4	ZH4LWSIS
H	2	Circuit Board Grounding Clip	570010004
J	1	Cap Screw, 6-32 x 1/2", Allen Socket Head (for -2 ver. encl.)	ZH6-32X.500CS
K	1	Nylon Spacer (for -2 ver. encl.)	ZH131X361X62N

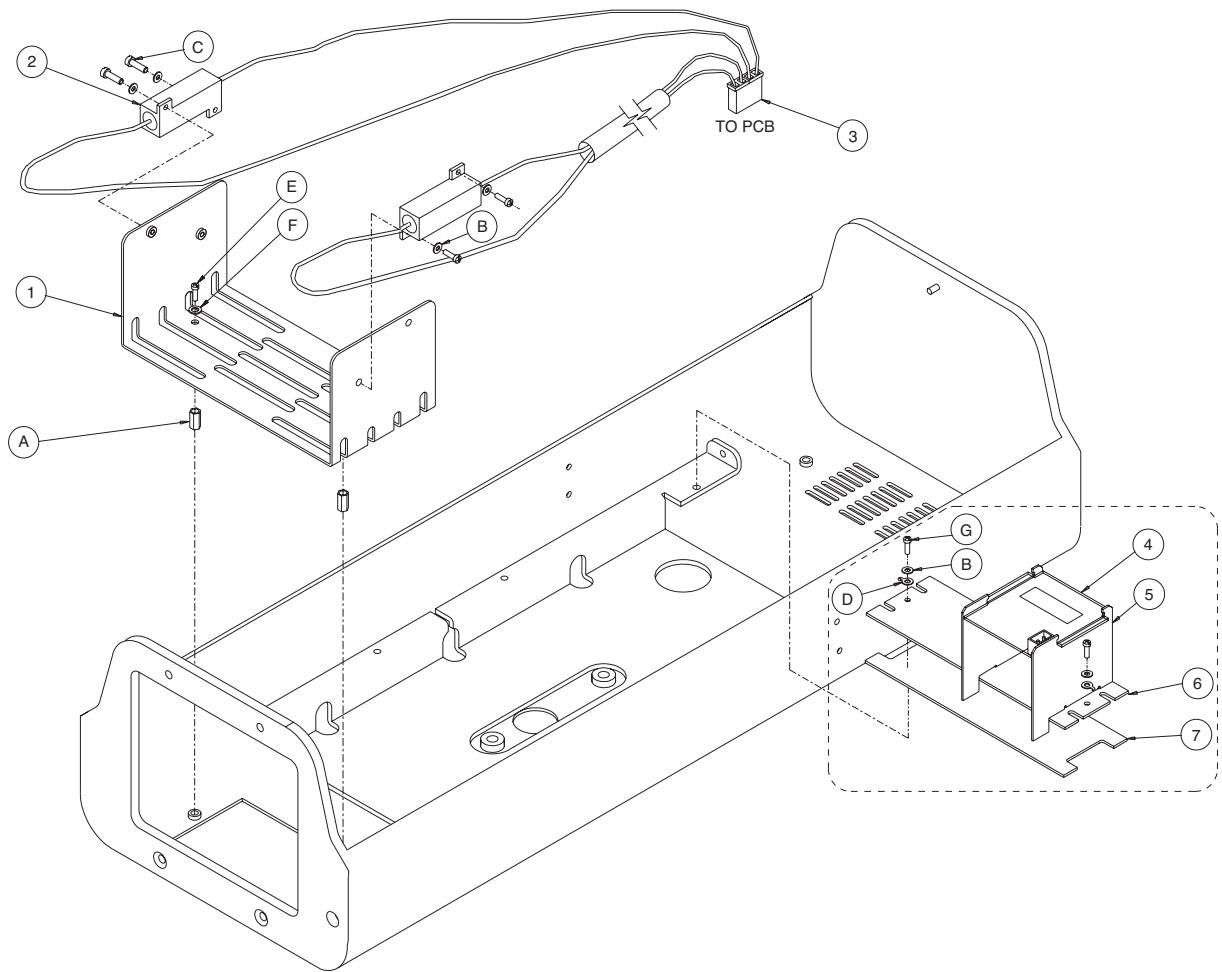


Figure 4. Exploded Assembly Diagram for Heaters and Circuit Board

Table D. Exploded Assembly Parts List for Heaters and Circuit Board

Item	Qty	Description	Part Number
1	1	Bracket/Heater Sink	57004020COMP
2	2	Heater, 230 VAC	HTR40220
	2	Heater, 24 VAC	HTR20024
	2	Heater, 120 VAC	HTR50120
3	1	Connector Plug	CN16-1820-0004
	4	Connector Sockets	CN16-5821-0101
4	1	Power Supply Barrier Cover	MF00-4700-019A
5	2	Power Supply Barrier	EH47004040COMP
6	1	Circuit Board	PCB9000276ASSY
7	1	Circuit Board Insulator	EH450010256
A	2	Spacer, .500" Length	SPA8423
B	6	Internal Tooth Lock Washer, #4	ZH4LWSIS
	2	Internal Tooth Lock Washer, #4	ZH4LWSIS
C	4	Screw 4-40 x 1/4", Pan Head, Phillips	ZH4-40X.250SPP
D	2	Grounding Clip	570010004
E	2	Screw, 6-32 x 1/4", Pan Head, Phillips	ZH6-32X.250SPP
F	2	Internal Star Washer, #6	ZH6LWSIS
G	2	Screw, 6-3 x 3/8", Pan Head, Phillips	ZH4-40X.375SPP

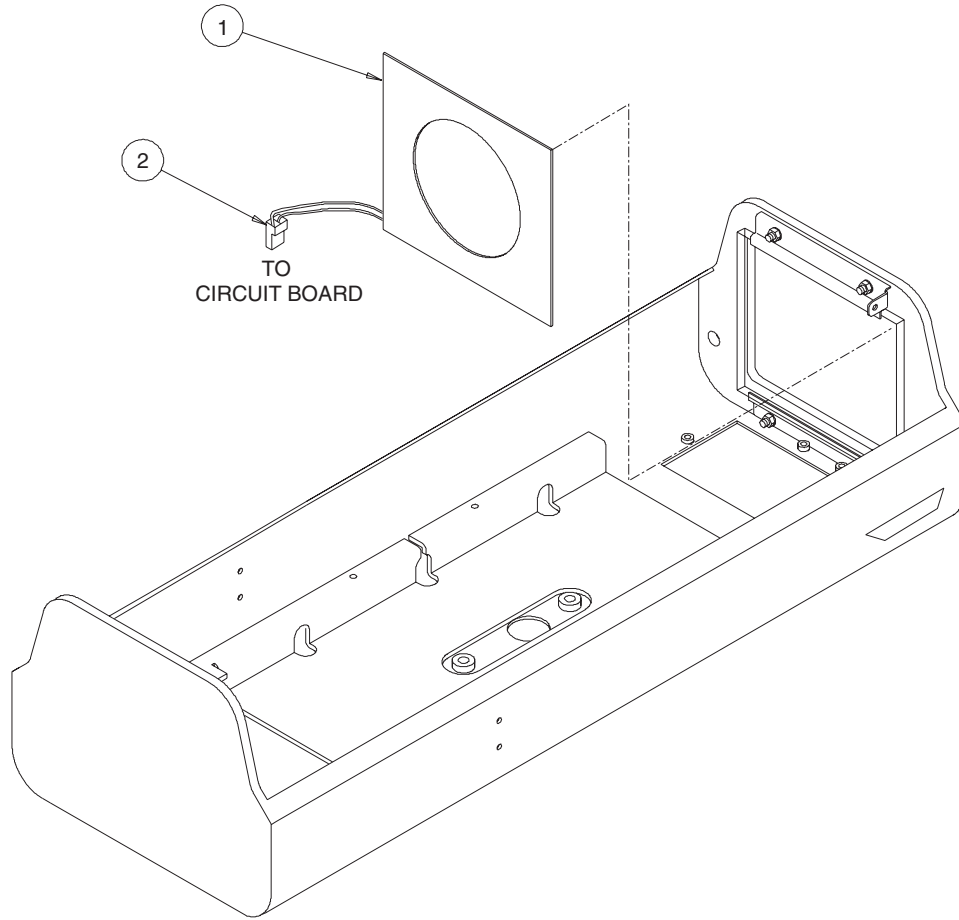


Figure 5. Exploded Assembly Diagram for Defroster

Table E. Exploded Assembly Parts List for Defroster

Item	Qty	Description	Part Number
1	1	Window Defroster, 120 VAC	HT07-0610-0605
	1	Window Defroster, 24 VAC	HT07-0620-0605
	1	Window Defroster, 230 VAC	HT07-0630-0605
1	1	Connector Plug	CN16-1820-0002
	2	Connector Sockets	CN16-5821-0101

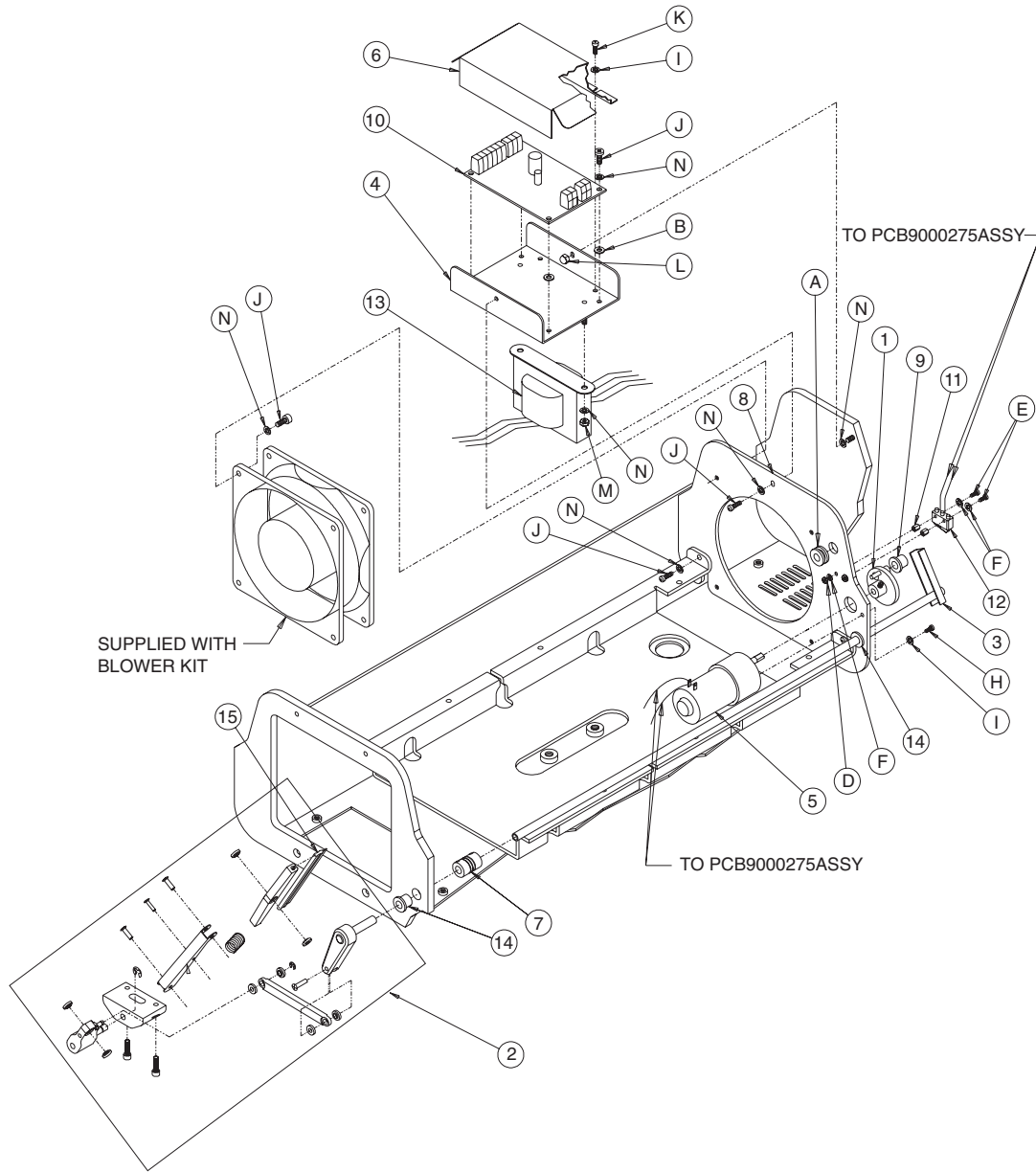


Figure 6. Exploded Assembly Diagram for Window Wiper

Table F. Exploded Assembly Parts List for Window Wiper

Item	Qty	Description	Part Number
1	1	Cam Assembly	WW57001000ASSY
2	1	Wiper Arm Assembly	WW57001003ASSY
3	1	Wiper Shaft (EH5729 Series)	MF00-5701-015A
	1	Wiper Shaft (EH5723 Series)	MF00-5701-029A
4	1	Wiper Driver Circuit Board Mount	WW57004013COMP
5	1	Wiper Motor	MR02-0002-2100
6	1	Wiper Driver Circuit Board Cover	WW57004014COMP
7	1	Flex Coupling	570010014
8	1	Fan Plate	MF01-5701-010D
9	1	Bronze Bearing Flange	776003
10	1	Wiper Driver Circuit Board	PCB9000275ASSY
11	2	5/32 Hex 3/16 x 2-56 Standoff	SPA8300
12	1	Switch Actuator	SWIJS221
	1	Switch	SW11SM1
13	1	Transformer (-1, -3 models)	TRF21240.70.7CM
14	2	Teflon Bearing Flange	WW550010001
15	3	Wiper Blade (by the inch)	WW570010050
16	1	Support Bracket	MF01-5701-028A
17	1	Switch Shield (not shown)	MF01-5701-0333A
A	1	Grommet	GR02170
B	12	Nylon Washer #6	ZH131X361X62N
D	2	Hex Nut, 2-56	ZH2-56NUTSH
E	2	Screw, 2-56 x 3/4-inch, Pan Head, Phillips	ZH2-56X.750SPS
F	4	Internal Tooth Lock Washer, #2	ZH2LWSIS
H	Variable	Screw, 4-40 x 1/4-inch, Pan Head, Phillips	ZH4-40X.250SPP
I	Variable	Internal Tooth Lock Washer, #4	ZH4LWSIS
J	9	Cap Screw, 6-32 x 3/8-inch, Allen Socket Head	ZH6-32X.375CS
K	2	Cap Screw, 4-40 x 3/8-inch, Allen Socket Head (WW5723-1 only)	ZH4-40X.375CS
L	1	Nut, 6-32, Acorn	ZH6-32NUTCA
M	Variable	Hex Nut, 6-32 (-1, -3)	ZH6-32NUTSH
N	Variable	Internal Tooth Lock Washer, #6	ZH6LWSIS
Not Shown	Variable	Hex Nut, 4-40	ZH4-40NUTSHG

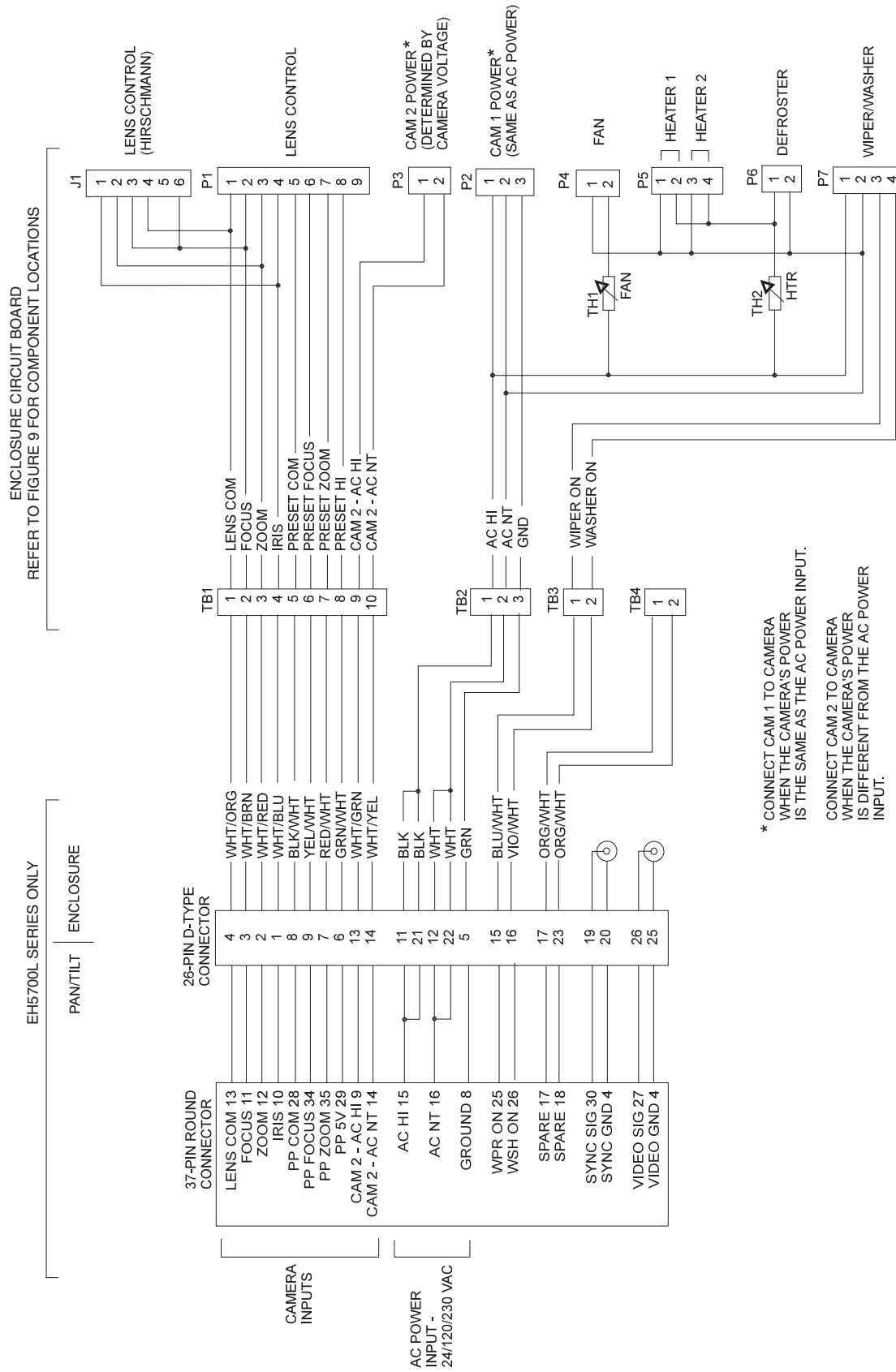


Figure 8. Wiring Diagram for Optional Circuit Board (O/I-PCB)

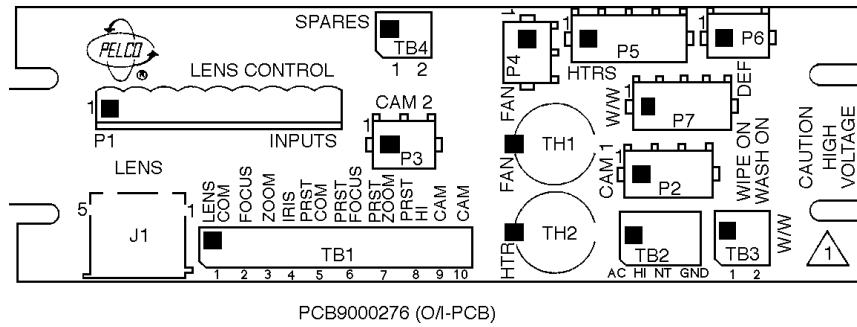


Figure 9. Component Locations for Optional Circuit Board

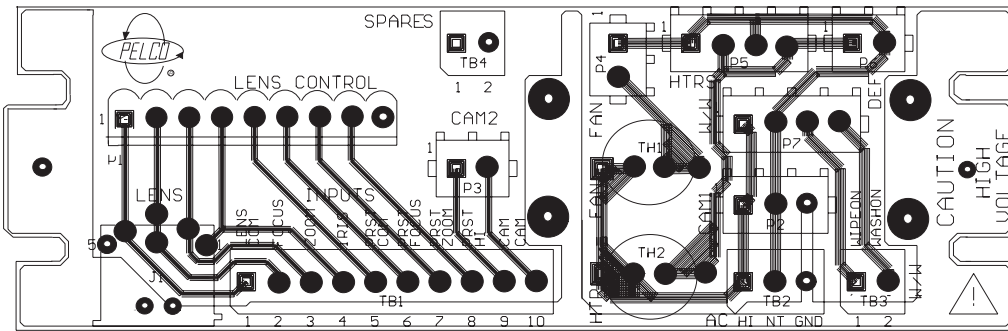


Figure 10. Layout of Traces on Optional Circuit Board

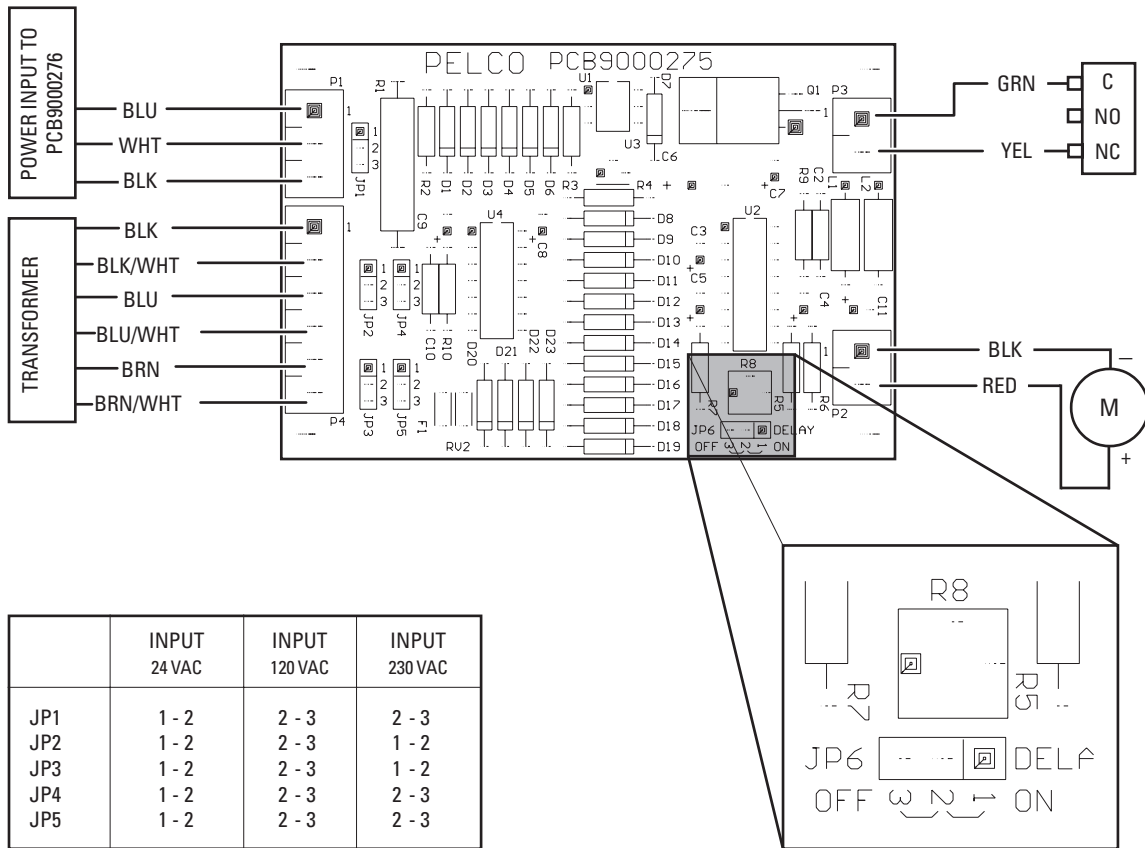


Figure 11. Wiper Circuit Board Component Locations

PRODUCT WARRANTY AND RETURN INFORMATION

WARRANTY

Pelco will repair or replace, without charge, any merchandise proved defective in material or workmanship **for a period of one year** after the date of shipment.

Exceptions to this warranty are as noted below:

- Five years:
 - Fiber optic products
 - TW3000 Series unshielded twisted pair (UTP) transmission products
 - CC3701H-2, CC3701H-2X, CC3751H-2, CC3651H-2X, MC3651H-2, and MC3651H-2X camera models
- Three years:
 - Pelco-branded fixed camera models (CCC1390H Series, C10DN Series, C10CH Series, IP3701H Series, and IX Series)
 - EH1500 Series enclosures
 - Spectra® IV products (including Spectra IV IP)
 - Camclosure® Series (IS, ICS, IP) integrated camera systems
 - DX Series digital video recorders, DVR5100 Series digital video recorders, Digital Sentry® Series hardware products, DVX Series digital video recorders, and NVR300 Series network video recorders
 - Endura® Series distributed network-based video products
 - Genex® Series products (multiplexers, server, and keyboard)
 - PMCL200/300/400 Series LCD monitors
- Two years:
 - Standard varifocal, fixed focal, and motorized zoom lenses
 - DF5/DF8 Series fixed dome products
 - Legacy® Series integrated positioning systems
 - Spectra III™, Spectra Mini, Spectra Mini IP, Esprit®, ExSite®, and PS20 scanners, including when used in continuous motion applications.
 - Esprit Ti and T12500 Series thermal imaging products
 - Esprit and WW5700 Series window wiper (excluding wiper blades).
 - CM6700/CM6800/CM9700 Series matrix
 - Digital Light Processing (DLP®) displays (except lamp and color wheel). The lamp and color wheel will be covered for a period of 90 days. The air filter is not covered under warranty.
 - Intelli-M® eIDC controllers
- One year:
 - Video cassette recorders (VCRs), except video heads. Video heads will be covered for a period of six months.
- Six months:
 - All pan and tilts, scanners, or preset lenses used in continuous motion applications (preset scan, tour, and auto scan modes).

Pelco will warrant all replacement parts and repairs for 90 days from the date of Pelco shipment. All goods requiring warranty repair shall be sent freight prepaid to a Pelco designated location. Repairs made necessary by reason of misuse, alteration, normal wear, or accident are not covered under this warranty.

Pelco assumes no risk and shall be subject to no liability for damages or loss resulting from the specific use or application made of the Products. Pelco's liability for any claim, whether based on breach of contract, negligence, infringement of any rights of any party or product liability, relating to the Products shall not exceed the price paid by the Dealer to Pelco for such Products. In no event will Pelco be liable for any special, incidental, or consequential damages (including loss of use, loss of profit, and claims of third parties) however caused, whether by the negligence of Pelco or otherwise.

The above warranty provides the Dealer with specific legal rights. The Dealer may also have additional rights, which are subject to variation from state to state.

If a warranty repair is required, the Dealer must contact Pelco at (800) 289-9100 or (559) 292-1981 to obtain a Repair Authorization number (RA), and provide the following information:

1. Model and serial number
2. Date of shipment, P.O. number, sales order number, or Pelco invoice number
3. Details of the defect or problem

If there is a dispute regarding the warranty of a product that does not fall under the warranty conditions stated above, please include a written explanation with the product when returned.

Method of return shipment shall be the same or equal to the method by which the item was received by Pelco.

RETURNS

To expedite parts returned for repair or credit, please call Pelco at (800) 289-9100 or (559) 292-1981 to obtain an authorization number (CA number if returned for credit, and RA number if returned for repair) and designated return location.

All merchandise returned for credit may be subject to a 20 percent restocking and refurbishing charge.

Goods returned for repair or credit should be clearly identified with the assigned CA or RA number and freight should be prepaid.

12-23-08

 The materials used in the manufacture of this document and its components are compliant to the requirements of Directive 2002/95/EC.



This equipment contains electrical or electronic components that must be recycled properly to comply with Directive 2002/96/EC of the European Union regarding the disposal of waste electrical and electronic equipment (WEEE). Contact your local dealer for procedures for recycling this equipment.

REVISION HISTORY

Manual #	Date	Comments
C1431SM	4/98	Original version.
	11/98	Revised Figure 6 and Table F.
C1431SM-A	5/06	Updated exploded assembly drawings. Marked EH5723L, EH5729L, EH5729L-1, EH5729L-2, and EH5729L-3 as obsolete. Removed obsolete SS5723L and SS5729L products. Updated format.
C1431SM-B	7/09	Revised Figure 11 to show correct wiring from motor to wiper circuit board.

Pelco, the Pelco logo, Camclosure, Digital Sentry, Endura, Esprit, ExSite, Genex, Intelli-M, Legacy, and Spectra are registered trademarks of Pelco, Inc. Spectra III is a trademark of Pelco, Inc. DLP is a registered trademark of Texas Instruments, Inc. All product names and services identified throughout this document are trademarks or registered trademarks of their respective companies.

© Copyright 2009, Pelco, Inc. All rights reserved.

PELCO

by **Schneider** Electric

www.pelco.com

Pelco, Inc. Worldwide Headquarters 3500 Pelco Way Clovis, California 93612 USA
USA & Canada Tel (800) 289-9100 Fax (800) 289-9150
International Tel +1 (559) 292-1981 Fax +1 (559) 348-1120